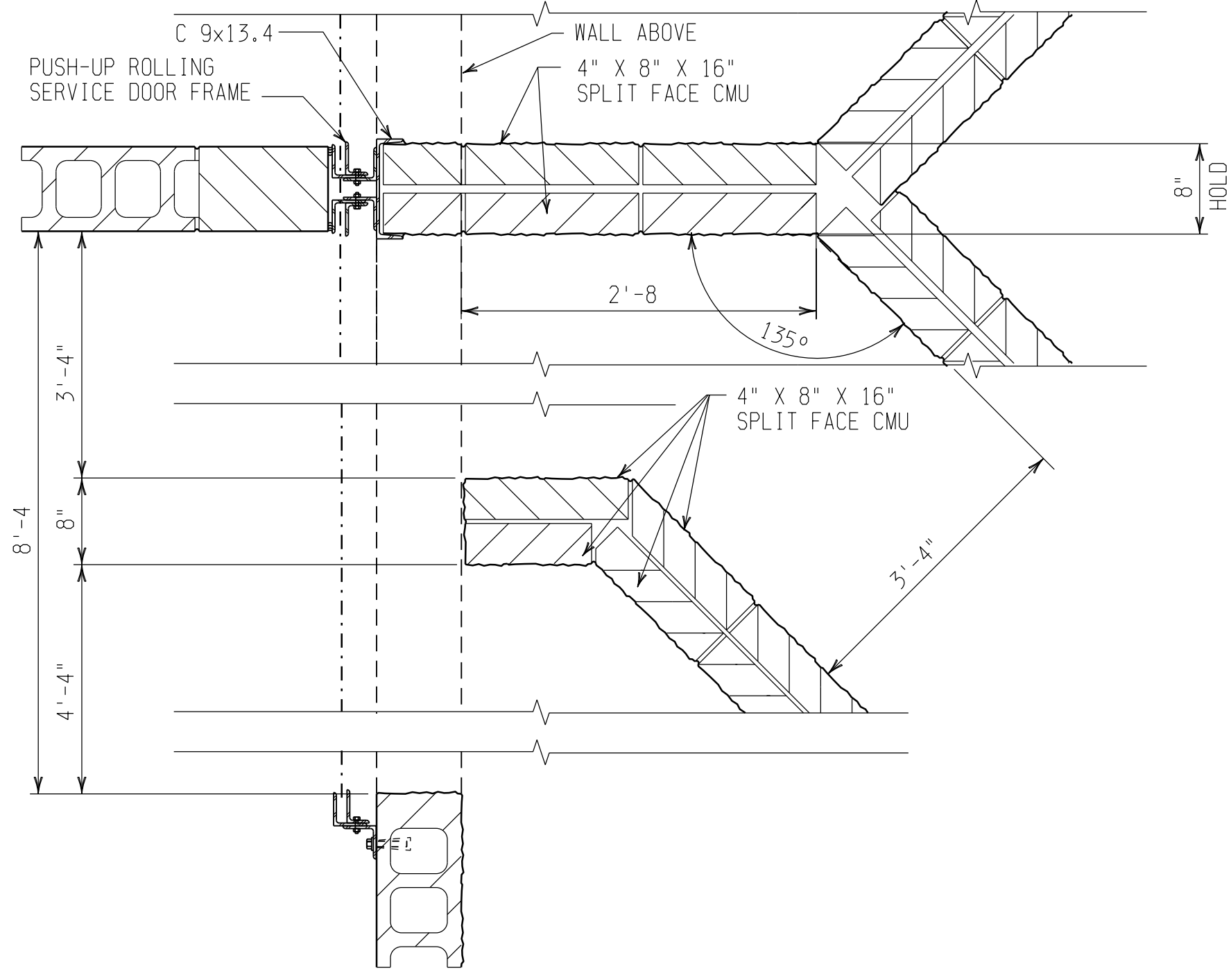
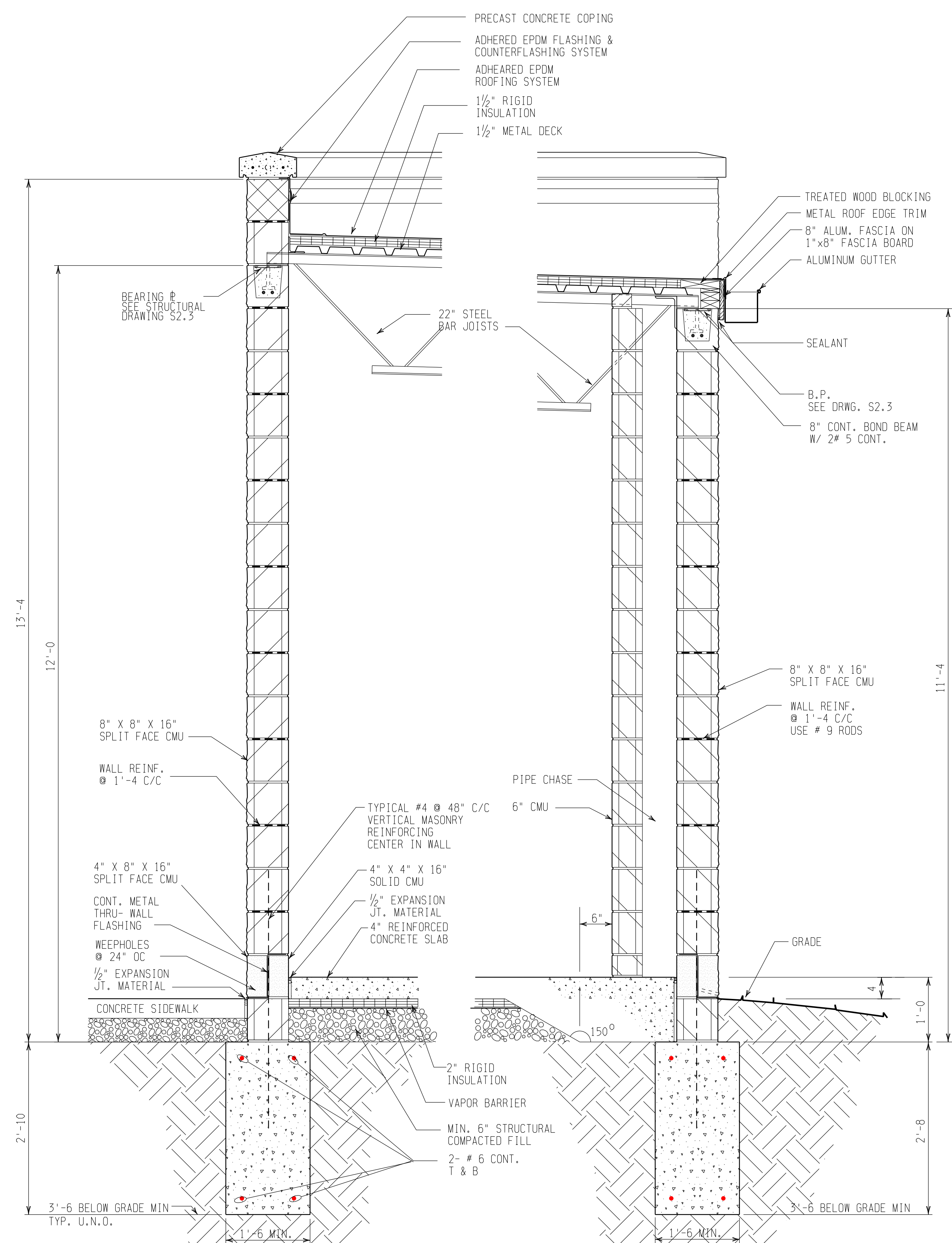


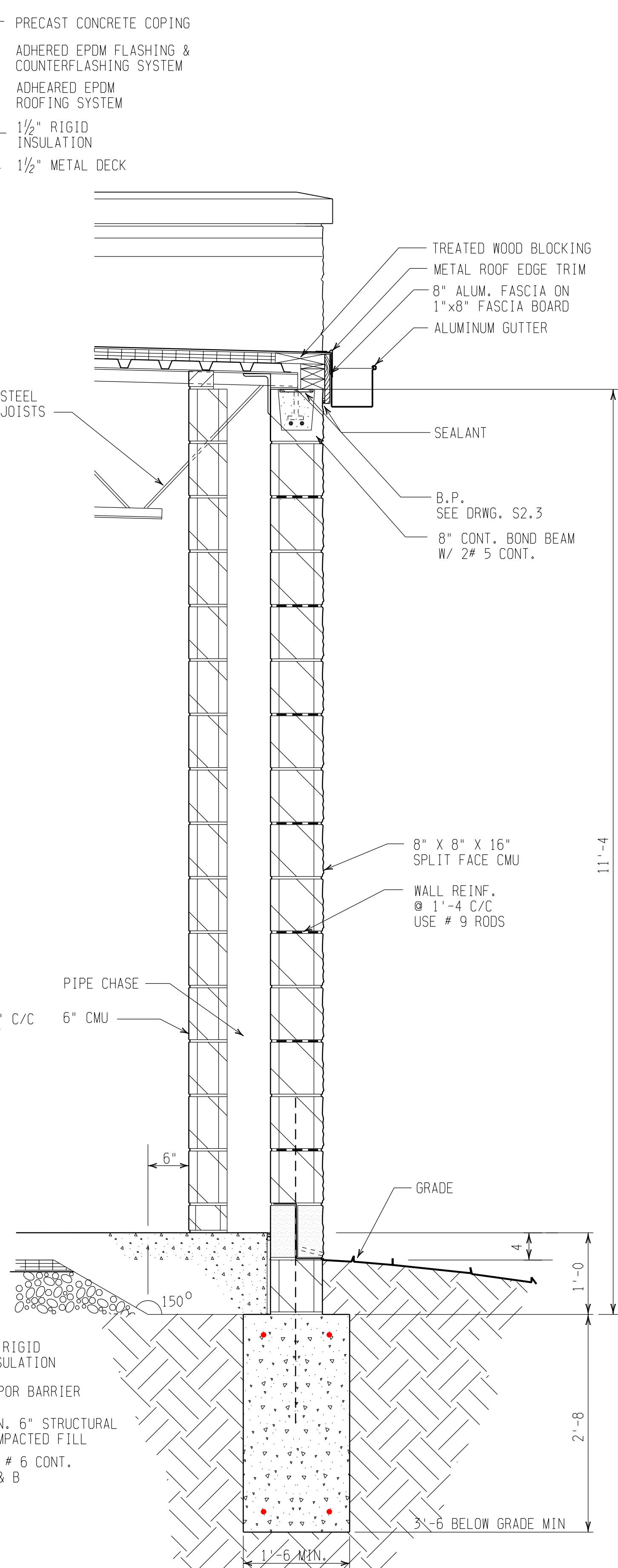
ARCH.	MACH. DESGN.	
CHEM.	MECH.	
CIVIL	PROCESS	
ELEC. CTL.	SPEC.	
ELEC.	STRUCT.	



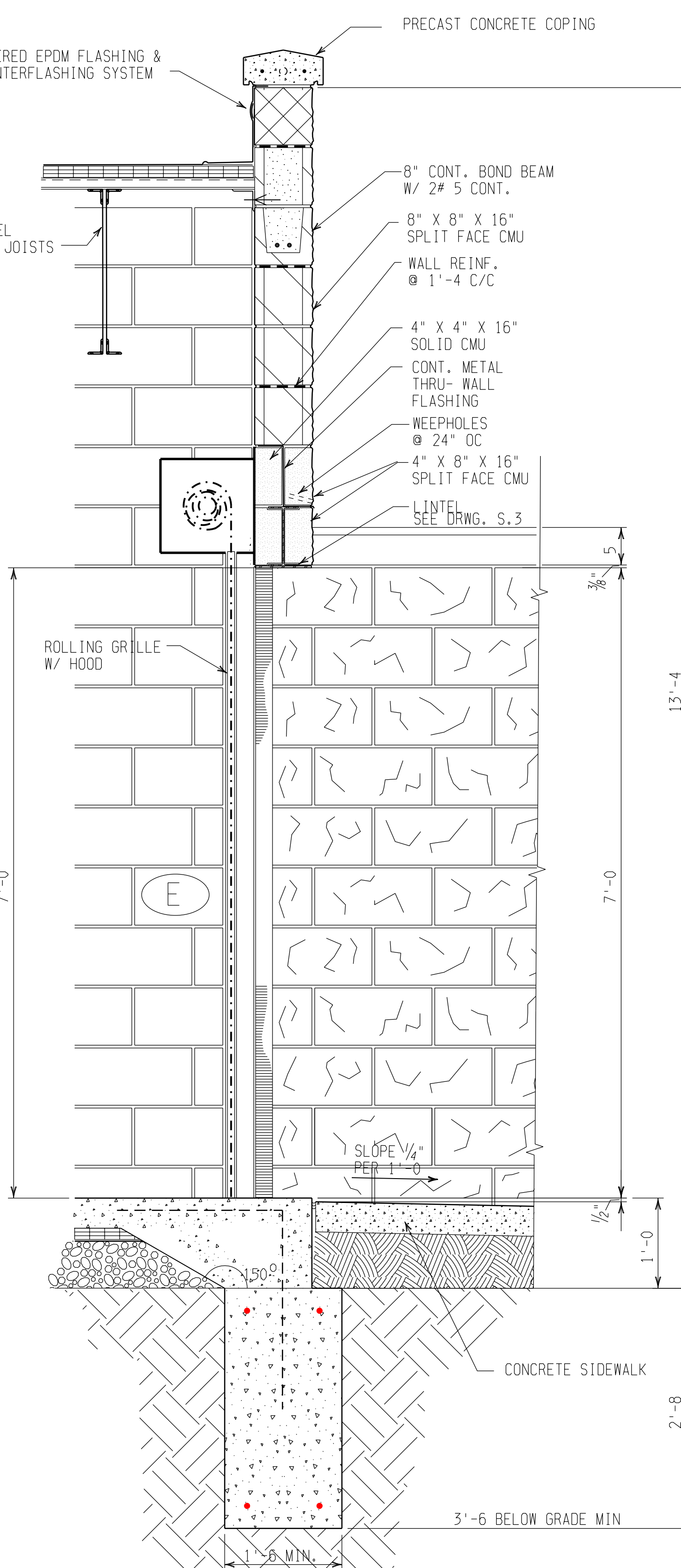
DETAIL 8204
SCALE: 1"=1'-0"
A2.3



SECTION 8201
SCALE: 1"=1'-0"
A2.3



SECTION 8202
SCALE: 1"=1'-0"
A2.3



SECTION 8203
SCALE: 1"=1'-0"
A2.3

NO.	DATE	SUBJECT
	6/12/97	ISSUED FOR BIDS - CONC./MAS.
	5/12/97	ISSUED FOR UNDERGROUND BIDS
	4/28/97	REVISED PLAN
	2-6-97	ISSUED FOR BIDS - STADIUM
	1-8-97	ISSUED FOR BIDS - GRANDSTANDS
	11-12-96	FINAL OWNERS REVIEW
	11-12-96	FINAL CHECK

REVISION OR ISSUE	
DRAWN	
CHECKED	
DESIGNED	
DEPT. MGR.	
PROJ. MGR.	

SSOE, INC.
ENGINEERS ARCHITECTS
1001 MADISON AVENUE
FAX 419-255-6101
TOLEDO, OHIO 43624
TEL. 419-255-3850

DRAWING TITLE
Bedford Community Station
8285 JACKMAN RD. TEMPERANCE, MICHIGAN
a project by
**The Bedford High School Bedford Township
Alumni Association Community
Bedford Public Schools**
1623 STERNS RD., TEMPERANCE, MICHIGAN 48167-9756

DRAWING TITLE
**TOILET BUILDING
WALL SECTIONS &
DETAILS**

PROJECT NUMBER **96-1299** SHEET OF
DRAWING NUMBER **A8.2**

DATE PLOTTED: 11/01/2003 11:55:00 AM
PLOT FILE: I:\PROJECTS\96-1299\96-1299-A8.2.DWG
SCALE: 1"=1'-0"
SHEET: A8.2 OF 10
PROJECT: 96-1299
DRAWING: WALL SECTIONS & DETAILS