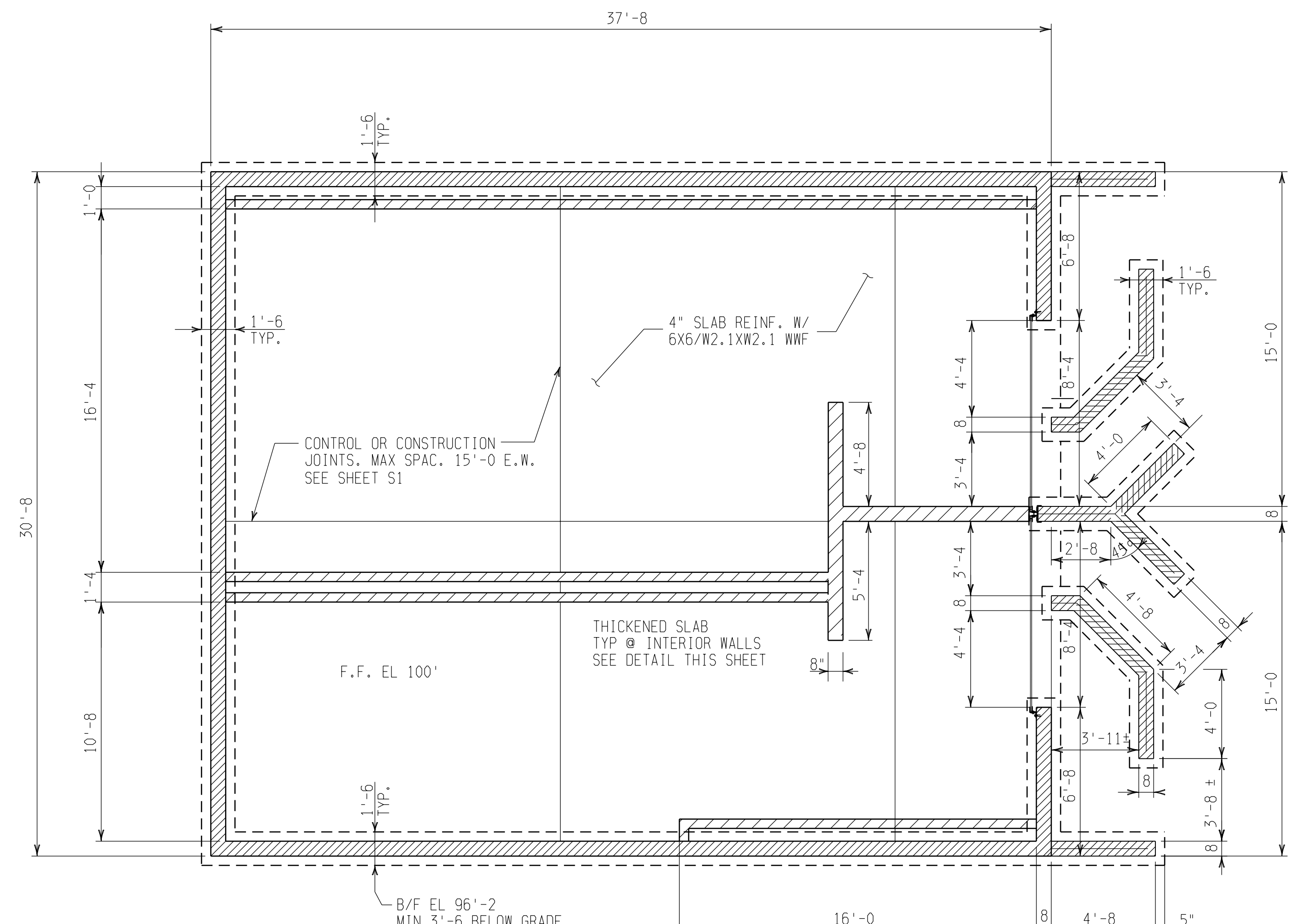
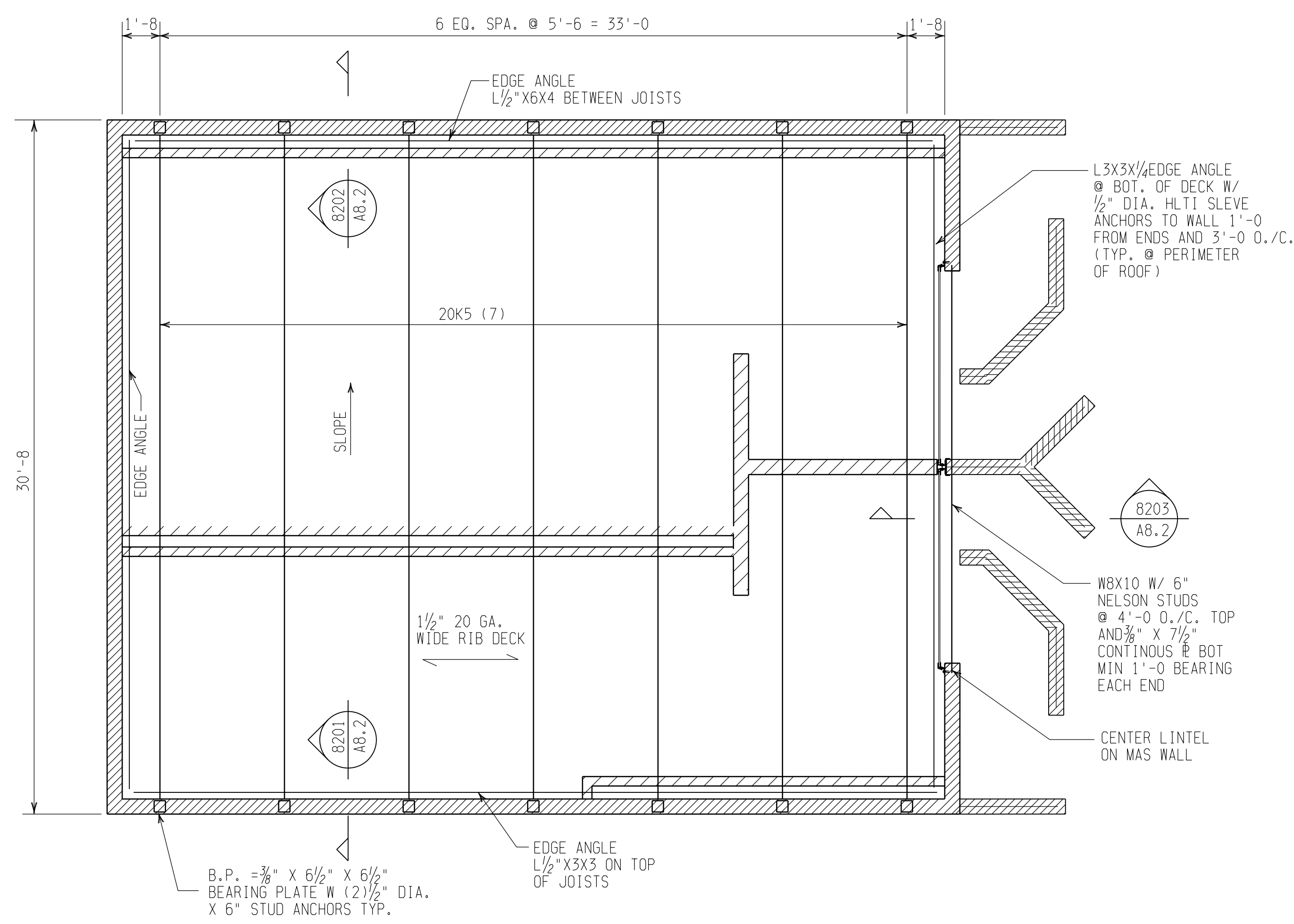


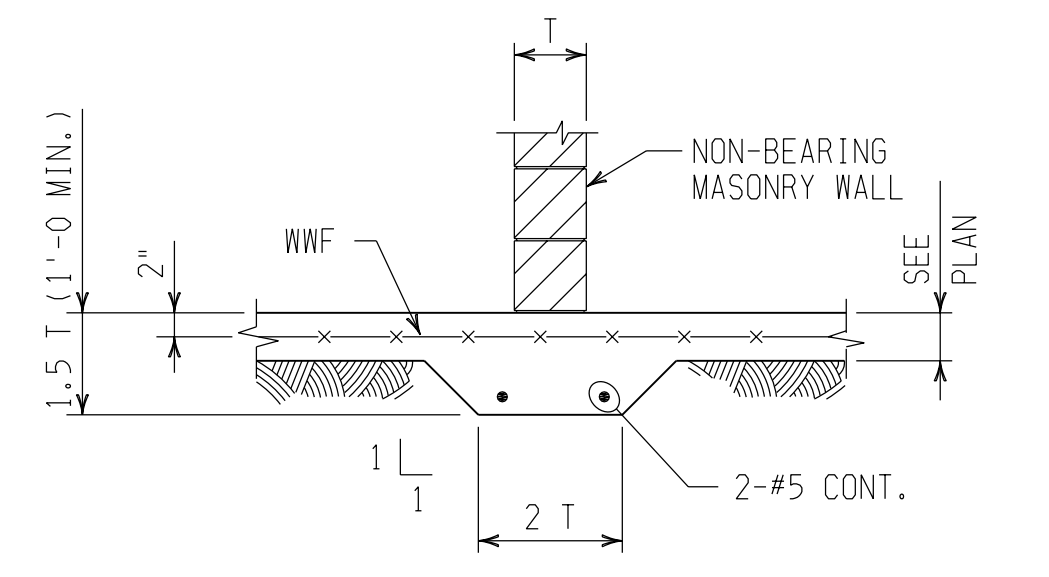
ARCH. MACH.-DSGN.
MECH. PROCESS
SPEC. STRUCT.
ELEC. ELEC. ELEC.



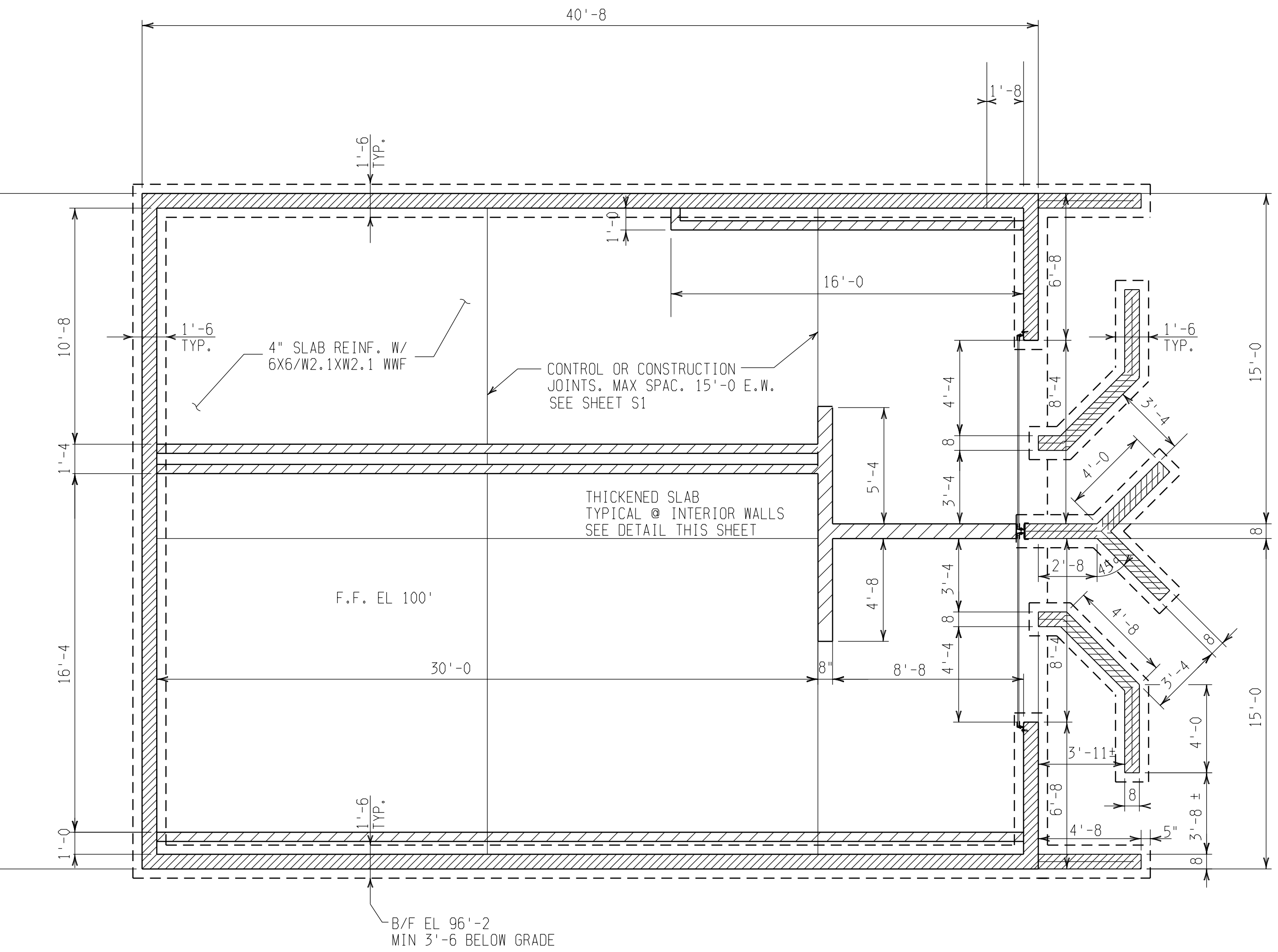
(N.E.) VISITOR TOILET BUILDING FOUNDATION PLAN
SCALE: 1/4"=1'-0"



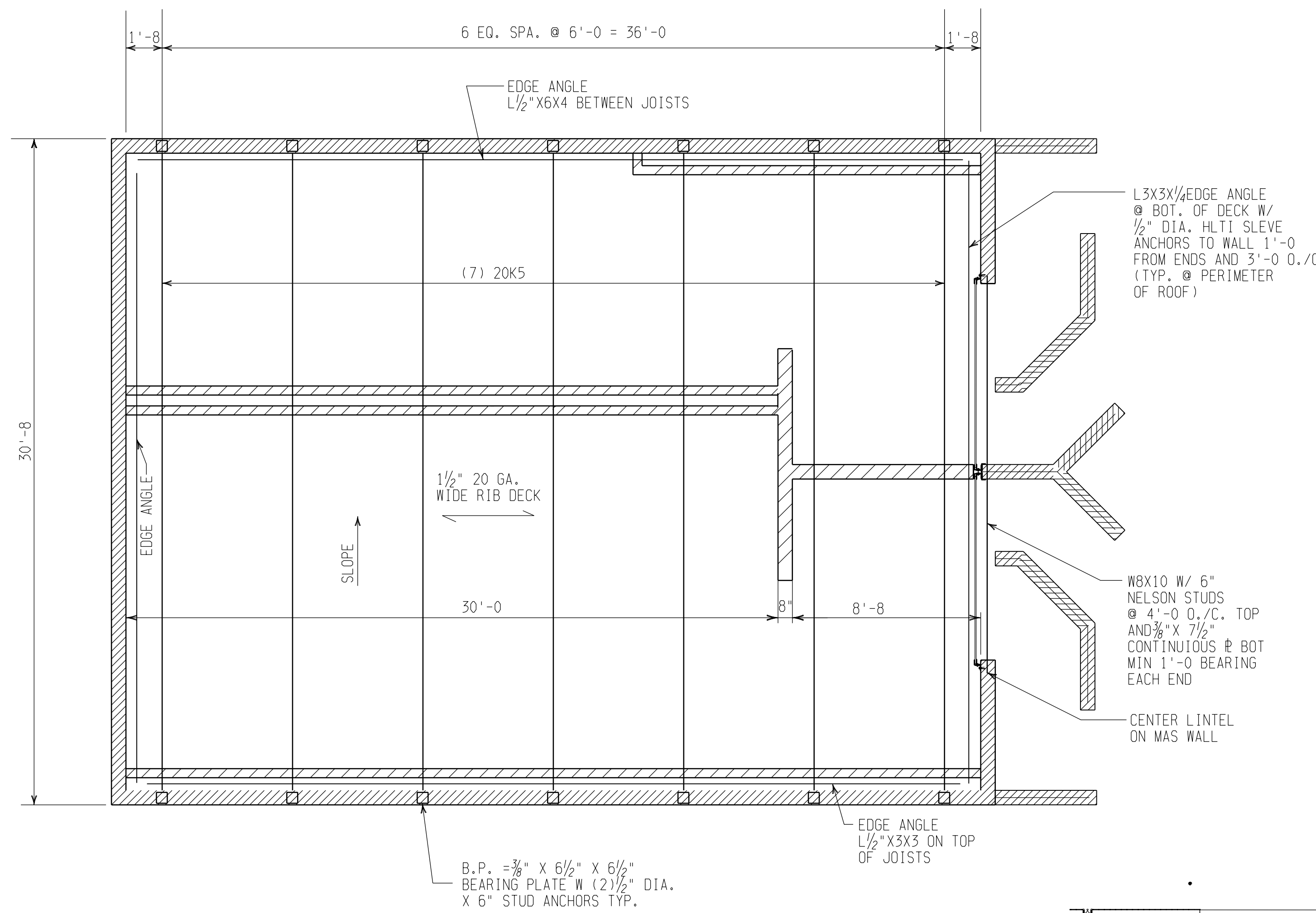
(N.E.) VISITOR TOILET BUILDING FRAMING PLAN
SCALE: 1/4"=1'-0"



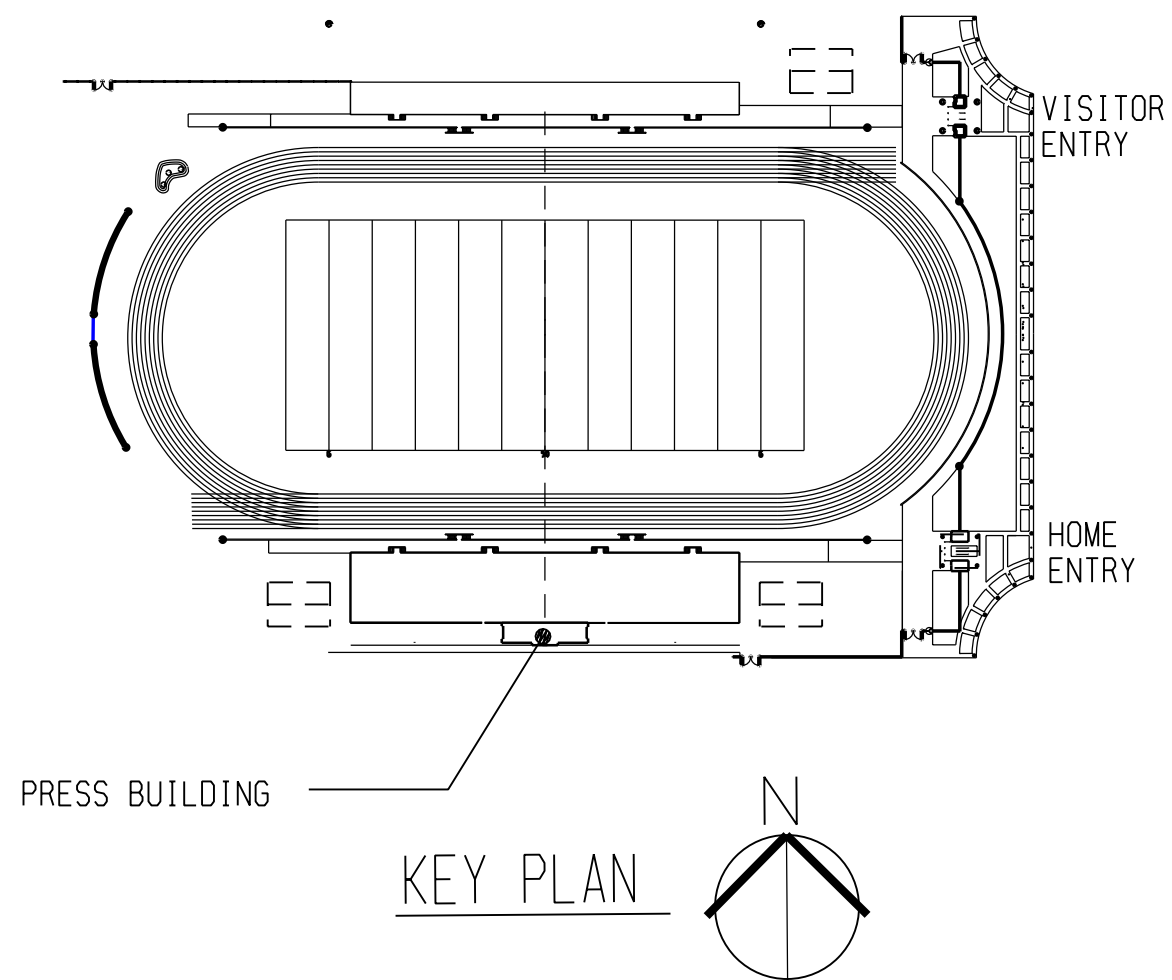
TYPICAL THICKENED SLAB DETAIL



(S.E.) HOME TOILET BUILDING FOUNDATION PLAN
(S.W.) HOME TOILET BUILDING OPPOSITE HAND
SCALE: 1/4"=1'-0"

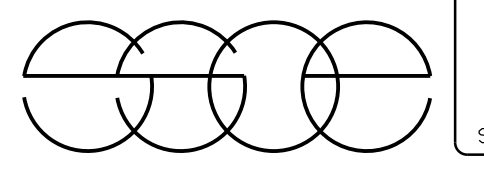


(S.E.) HOME TOILET BUILDING FRAMING PLAN
(S.W.) HOME TOILET BUILDING OPPOSITE HAND
SCALE: 1/4"=1'-0"



NO.	DATE	SUBJECT
	6/12/97	ISSUED FOR BIDS - CONC./MAS.
	5/12/97	ISSUED FOR UNDERGROUND BIDS
	4/28/97	REVISED PLAN
	2-6-97	ISSUED FOR BIDS - STADIUM
	1-8-97	ISSUED FOR BIDS - GRANDSTANDS
	11-12-96	FINAL OWNERS REVIEW
	11-12-96	FINAL CHECK

DRAWN
CHECKED
DESIGNED
DEPT. MGR.
PROJ. MGR.



SSOE, INC.
ENGINEERS ARCHITECTS
1001 MADISON AVENUE
FAX 419-255-6101

TOLEDO, OHIO 43624
TEL. 419-255-3850

Bedford Community School District
8285 JACKMAN RD.
TEMPERANCE, MICHIGAN
a project by
**The Bedford High School Bedford Township
Alumni Association Community
Bedford Public Schools**
1623 STERNS RD., TEMPERANCE, MICHIGAN 48151-8471-8756

DRAWING TITLE
**TOILET ROOM BUILDINGS
FRAMING AND FOUNDATION
PLANS**

PROJECT NUMBER **96-1299** SHEET
DRAWING NUMBER **S2.3** OF

REVISIONS:
 REVISION NO. DATE BY DESCRIPTION
 REVISION 1 06/12/97 [UNINITIALIZED] ISSUED FOR BIDS - CONC./MAS.
 REVISION 2 05/12/97 [UNINITIALIZED] ISSUED FOR UNDERGROUND BIDS
 REVISION 3 04/28/97 [UNINITIALIZED] REVISED PLAN
 REVISION 4 02-06-97 [UNINITIALIZED] ISSUED FOR BIDS - STADIUM
 REVISION 5 01-08-97 [UNINITIALIZED] ISSUED FOR BIDS - GRANDSTANDS
 REVISION 6 11-12-96 [UNINITIALIZED] FINAL OWNERS REVIEW
 REVISION 7 11-12-96 [UNINITIALIZED] FINAL CHECK
 REVISION 8
 REVISION 9
 REVISION 10
 REVISION 11
 REVISION 12
 REVISION 13
 REVISION 14
 REVISION 15
 REVISION 16
 REVISION 17
 REVISION 18
 REVISION 19
 REVISION 20